



AIRWASH® WHISPER

HEPA AIR FILTRATION SYSTEM

The focus of Hawk Environmental products is to bring you the cleanest, safest air for breathing. Indoor air is often up to 5 times more polluted than outside air. We can help you change that!

UNDERSTANDING AIR POLLUTION

Air pollution can be divided into 3 categories:



PARTICULATES

Air pollutants that have mass, such as: vehicle emissions, pollen, dust mite carcasses & feces, pet dander, cigarette smoke & candle soot.



BIOBURDEN

Biological material, living or dead, in the air, such as: bacteria & viruses, mold spores, fungi. These materials cause allergies and spread diseases.



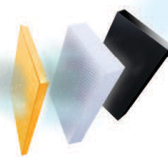
V.O.C.'s (VOLATILE ORGANIC COMPOUNDS)

They come from household materials and cleaning products. V.O.C.'s include chemicals released from: paints, perfumes, plastic, cigarette smoke, furniture & carpets, glue to name a few.

HIGH EFFICIENCY PARTICULATE ARRESTANCE (HEPA) is a filtration standard created by the US Atomic Energy Commission. HEPA filtration media is **99.97%** efficient at removing particles 0.3 micron in size.

BENEFITS OF HAWK ENVIRONMENTAL AIRWASH WHISPER HEPA AIR FILTRATION SYSTEMS

- Insulated cabinets for whisper quiet operation.
- Low maintenance, our HEPA cartridges can last up to five years or longer.
- Hawk products produce NO Ozone.
- Our products are energy efficient due to effective design and quality motors.
- Hawk Environmental Air Filtration systems are constructed out of durable steel.
- Our products are environmentally friendly.
- VOC Canister upgrade available for increased chemical adsorption capacity.



Hawk Environmental products include **certified HEPA filter media** as part of a 3-stage filtration process.



1st stage:

PREFILTER filters large particulates and captures some V.O.C.'s



2nd stage:

HEPA FILTER filters bioburden, particulates and attached V.O.C.'s



3rd stage:

INNER CARBON FILTER – captures residual V.O.C.'s



AIRWASH® WHISPER

HEPA AIR FILTRATION SYSTEM

MODELS: AWW350 and AWW675

SPECIFICATIONS: (all models)

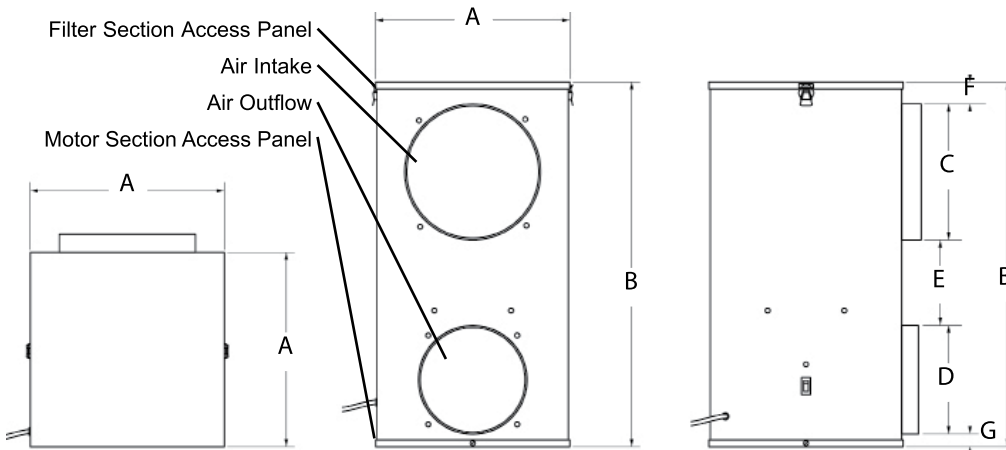
Color: Meteorite

Dimensions: 14.5"W x 27.5"H

Motor/Fan: Designed for continuous operation

Run tested for 50,000+ hours

PHYSICAL DIMENSIONS OF UNIT



MODEL NO.	A	B	C	D	E	F	G
Model AWW-350	14.5 (368)	27.25 (692)	7.875 (200)	5.875 (149)	8.5 (216)	3 (76)	2 (51)
Model AWW-675	14.5 (368)	27.25 (692)	9.875 (251)	7.875 (200)	6.5 (165)	2 (51)	1 (32)

Dimensions in inches (mm)

Airwash Whisper 350

Intake: 8" Duct Collar

Outtake: 6" Duct Collar

Weight: 30 lbs.

Air Flow: 350 C.F.M

Power Usage: 125 Watts

Airwash Whisper 675

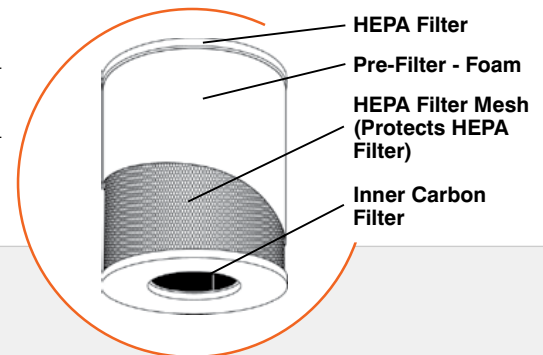
Intake: 10" Duct Collar

Outtake: 8" Duct Collar

Weight: 33 lbs.

Air Flow: 675 C.F.M

Power Usage: 225 Watts



**BREATHING ISN'T AN OPTION.
BUT YOUR AIR QUALITY IS.**



206-620-0311 | info@hawkenvironmental.com
969 S. Nebraska St. Seattle, WA 98108, United States

www.hawkenvironmental.com

AUTHORIZED DISTRIBUTER