



## Heat Pump Water Heater

**SANCO<sub>2</sub>**   
Hot water, *naturally.*





# SANCO<sub>2</sub>



As a highly energy-efficient alternative to the traditional electric or gas water heater, our unique system saves money, reduces greenhouse gas emissions and eliminates the production of carbon monoxide.

The SANCO<sub>2</sub> heat pump water heater system consists of two parts. The heat pump unit, where the hot water is produced, using the CO<sub>2</sub> refrigerant to extract heat from the ambient air, and the 43, 83 and 119 gallon storage tank.

**43 Gallon Tank**  
69-Gallon first hour delivery

2 to 4 people

**83 Gallon Tank**  
115-Gallon first hour delivery

5+ people

## High Performance

The SANCO<sub>2</sub> unit has the highest UFHR (Uniform First Hour Rating) of any comparably sized Storage Electric or Heat Pump Water Heater.

The Natural Refrigerant (CO<sub>2</sub>) used by the SANCO<sub>2</sub> allows it to make and store hotter water than any other Heat Pump Water Heater. This means there is more energy stored in the tank which translates into more hot water delivered via the factory supplied Mixing Valve.

## Energy Efficiency

The SANCO<sub>2</sub> unit works to maximize the UEF value not only in the test lab, but also in real world operation due to several of its unique features:

**Inverter Compressor** Inverter Compressors increase the efficiency of a heat pump by varying the speed of the compressor and hence the amount of electrical energy used.

**DC Fan Motor & Water Pump** The other motors in the SANCO<sub>2</sub>, the fan and water pump, are also powered by direct current (DC), just like the Inverter Compressor. This allows both to run at a speed based on load requirements to optimize energy efficiency.

## Superior Features

Highest First Hour Rating of any residential electric water heater (Resistance and Heat Pumps) provides more hot water.



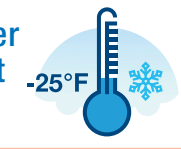
Simple installation: only plumbing connections are required to connect storage tank and heat pump.



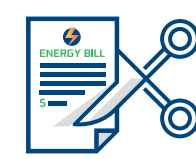
Faster recovery from a hot water draw at 20+ GPH of 150°F water to the top of the tank.



Heat pump will make hot water below -25°F to 114°F ambient temperature.



Highest real world efficiency: 80% savings over electric resistance water heaters and 40%+ over a hybrid HPWH.



Perfect for homes with Solar PV Panels as the unit will use less than 2,000 Watts maximum.



Most environmentally friendly water heater on the market: CO<sub>2</sub> refrigerant has a low global warming potential.

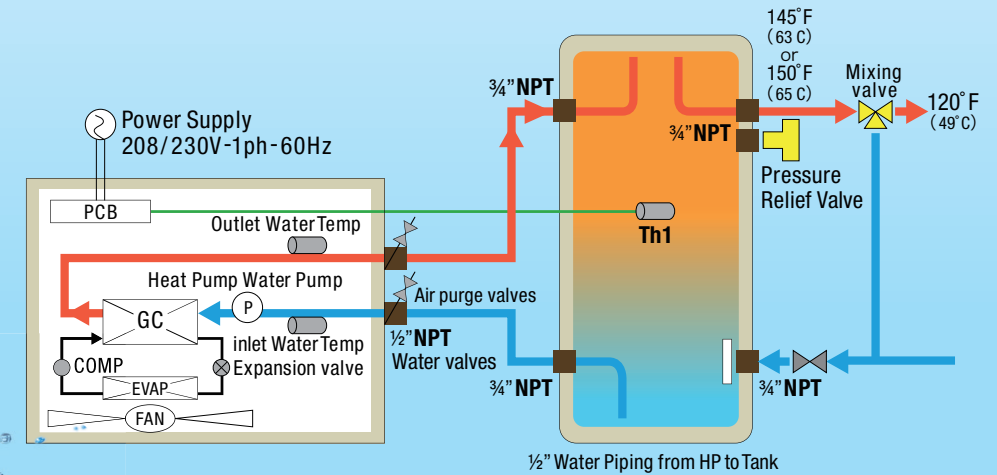


Longest and most comprehensive warranty on the market.



## Technology – How It Works

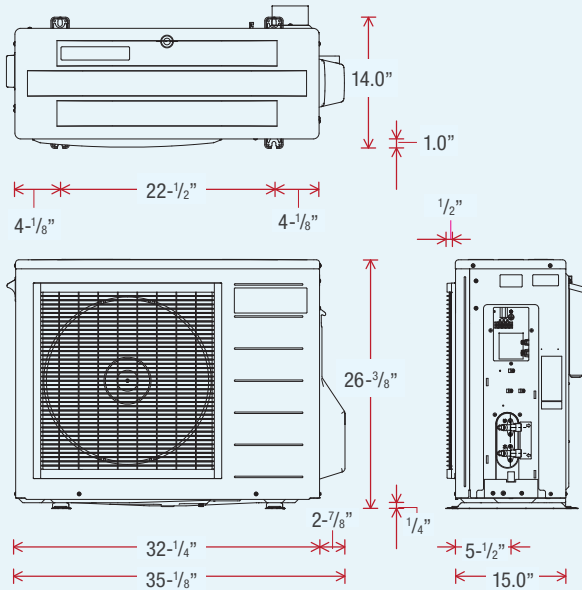
- The SANCO<sub>2</sub> Water Heater works like any other storage water heater with one exception. The tank is stratified rather than mixed.
- Cold Water connections are located at the bottom of the tank and Hot Water connections are at the top.
- The Hot Water stored in the tank is hotter than Mixing Valve for normal use in the home or building. The unit is supplied with a Thermostatic Mixing Valve that must be installed to temper the delivered water to fixtures.



# SANCO<sub>2</sub> GEN 4-D Specifications

## Heat Pump

All dimensions displayed in inches.

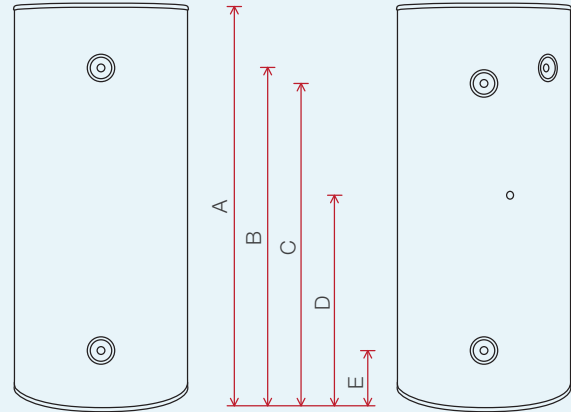
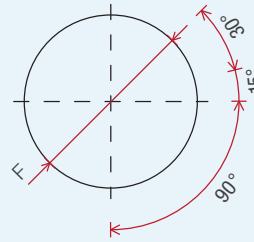


### Outdoor Unit (Heat Pump) Model No. GS4-45HPC-D

Performance	43 Gal Sys	83 Gal Sys	119 Gal Sys
Uniform Energy Factor	3.1	3.75	3.4
First Hour Rating	69 gallons	115 gallons	135 gallons

Specifications	GS4-45HPC-D
Water Temperature Setting	145 or 150°F
Ambient Air Operating Range	-25 to 114°F
Nom Heating Capacity (Btu/h)	15,400 Btu/h
Nom Heating Capacity (kw)	4.5kw
Drain Pan Heating Power Consumption (w)	132 w
Heating COP @80/47/17°F	5.5 / 4.2 / 2.6
Refrigerant Type	R744 (CO <sub>2</sub> )
Power Voltage	208/230v-1Ph-60Hz
Breaker Size	15 Amps
MCA (Amps)	7.2 Amps
Compressor Type	Rotary
Noise Level (DbA)	37
Weight (lbs)	110 lbs
Pipe Size (Tank to Heat Pump)	1/2" (Both Hot Supply & Cold Return)
Max Length inc Vertical Sep	66 ft
Max Vertical Separation	23 ft
Max Incoming Water Pressure	75Psi

## Stainless Steel Storage Tank\*



Tank Model No:	SAN-43SSAQA	SAN-83SSAQA	SAN-119GLBK*
A Height	38-1/8"	68-7/8"	63-3/5"
B Hot Water Outlet & PR Valve	29-1/2"	60-1/4"	56"
C Heat Pump Return	29-1/2"	60-1/4"	60-1/4"
D Sensor Port	9-3/4"	40-3/8"	56"
E Cold Water Inlet / Cold Water to HP	8-3/4"	8-3/4"	4"
F Diameter	24-1/2"	24-1/2"	28"
Weight (lbs)	88 lbs	115 lbs	345 lbs
Tank Capacity (gallons)	43 gallons	83 gallons	119 gallons
Warranty	15 years	15 years	10 years*

### Connection Sizes

Cold Water Inlet	3/4" NPT (1 1/2" SAN-119GLBK)
Hot Water Outlet	3/4" NPT (1 1/2" SAN-119GLBK)
Cold Water to Heat Pump	3/4" NPT
Hot Water Return from Heat Pump	3/4" NPT
Pressure Relief Valve Setting (Psig)	125/150 Psig

REV 10282022

\*SAN-119GLBK tank is a glass-lined steel tank with a 10 year warranty.

Note: Materials and specifications are subject to change without notice.



For more information, please call 1-844-SANDCO<sub>2</sub> or email [info@eco2systemsllc.com](mailto:info@eco2systemsllc.com)



Eco2 Systems LLC  
 P.O. Box 1358, Walled Lake, MI 48390  
 Phone : 1-844-726-3262 or 1-844-SANDCO<sub>2</sub>  
 E-mail : [info@eco2systemsllc.com](mailto:info@eco2systemsllc.com)  
 Website : [www.eco2waterheater.com](http://www.eco2waterheater.com)

Eco2 Dealer